

M1

**Modello / Model**  
**IDRJA / FM +**

**Materiale / Material**  
Aisi 304

**Tenuta / Seal**  
NBR

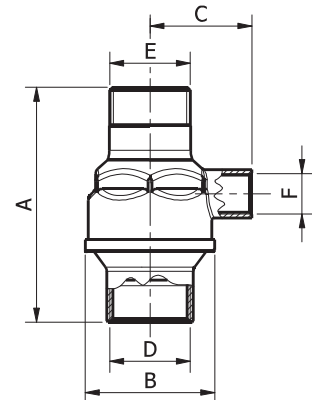
**DN**  
25 – 50

**PN**  
16



### Caratteristiche tecniche / Construction features

- **Femmina-maschio con attacco lato mandata** / Female-male with connection on delivery side
- **Conessioni filettate secondo** / Threaded ends according to UNI ISO 228/1
- **Temperatura di esercizio** / Working temperature  
-25°C – +90°C



### Dimensioni e pesi / Dimensions and weights

| Codice<br>Code | Misura<br>Size | DN | PN | Peso<br>in gr.<br>Weight<br>in gr. | KV<br>m³/h | Dimensioni in mm<br>Dimensions in mm |    |    |         |         |        |
|----------------|----------------|----|----|------------------------------------|------------|--------------------------------------|----|----|---------|---------|--------|
|                |                |    |    |                                    |            | A                                    | B  | C  | D       | E       | F      |
| 900016A        | 1"             | 25 | 16 | 200                                | 18,7       | 97                                   | 53 | 42 | 1" F    | 1" M    | 3/8" F |
| 900021A        | 1" 1/4         | 32 | 16 | 305                                | 31,5       | 113                                  | 66 | 48 | 1"1/4 F | 1"1/4 M | 3/8" F |
| 900026A        | 1" 1/2         | 40 | 16 | 430                                | 40,5       | 130                                  | 78 | 54 | 1"1/2 F | 1"1/2 M | 3/8" F |
| 900029A        | 2"             | 50 | 16 | 660                                | 56         | 133                                  | 90 | 60 | 2" F    | 2" M    | 3/8" F |

M1

**Modello / Model**  
**IDRJA / AMFX**

**Materiale / Material**  
Aisi 316

**Tenuta / Seal**  
EPDM

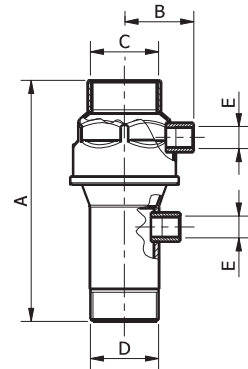
**DN**  
25 – 50

**PN**  
16



### Caratteristiche tecniche / Construction features

- **Maschio-femmina con attacco lato mandata e lato aspirazione** / Male-female with connections on delivery and suction side
- **Conessioni filettate secondo** / Threaded ends according to UNI ISO 228/1
- **Temperatura di esercizio** / Working temperature  
-20°C – +110°C



### Dimensioni e pesi / Dimensions and weights

| Codice<br>Code | Misura<br>Size | DN | PN | Peso<br>in gr.<br>Weight<br>in gr. | KV<br>m³/h | Dimensioni in mm<br>Dimensions in mm |    |         |         |        |
|----------------|----------------|----|----|------------------------------------|------------|--------------------------------------|----|---------|---------|--------|
|                |                |    |    |                                    |            | A                                    | B  | C       | D       | E      |
| 900410AMFX     | 1"             | 25 | 16 | 270                                | 18,7       | 122                                  | 39 | 1" F    | 1" M    | 1/4" F |
| 900420AMFX     | 1" 1/4         | 32 | 16 | 415                                | 31,5       | 148                                  | 44 | 1"1/4 F | 1"1/4 M | 1/4" F |
| 900430AMFX     | 1" 1/2         | 40 | 16 | 530                                | 40,5       | 152                                  | 51 | 1"1/2 F | 1"1/2 M | 1/4" F |
| 900440AMFX     | 2"             | 50 | 16 | 810                                | 56         | 170                                  | 51 | 2" F    | 2" M    | 1/4" F |