

M1

**Modello / Model**  
**IDRJA / 5W**

**Materiale / Material**  
Aisi 304

**Tenuta / Seal**  
EPDM

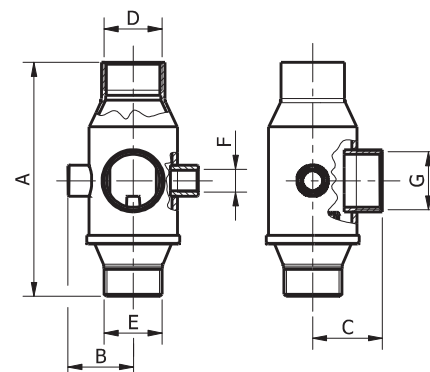
**DN**  
25 – 32

**PN**  
16



### Caratteristiche tecniche / Construction features

- **Maschio-femmina con 3 attacchi lato mandata** / Male-female with 3 connections on delivery side
- **Conessioni filettate secondo** / Threaded ends according to UNI ISO 228/1
- **Temperatura di esercizio** / Working temperature  
-25°C – +110°C



### Dimensioni e pesi / Dimensions and weights

Codice Code	Misura Size	DN	PN	Peso in gr. Weight in gr.	KV m <sup>3</sup> /h	Dimensioni in mm Dimensions in mm						
						A	B	C	D	E	F	G
900017MFAW	1"	25	16	380	18,7	134	38	40	1" F	1" M	1/4" F	1" F
900022MFAW	1" 1/4	32	16	440	31,5	151	44	45	1"1/4 F	1"1/4 M	1/4" F	1"1/4 F

M1

**Modello / Model**  
**IDRJA / VCT**

**Materiale / Material**  
Aisi 304

**Tenuta / Seal**  
FPM

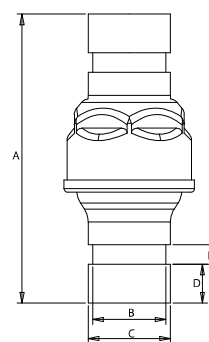
**DN**  
25 – 50

**PN**  
16



### Caratteristiche tecniche / Construction features

- **Conessioni tipo** / Ends type  
Victaulic®
- **Temperatura di esercizio** / Working temperature  
-20°C – +150°C



### Dimensioni e pesi / Dimensions and weights

Codice Code	Misura Size	DN	PN	Peso in gr. Weight in gr.	KV m <sup>3</sup> /h	Dimensioni in mm Dimensions in mm				
						A	B	C	D	E
900017VCT	1"	25	16	210	18,7	120	30	33.7	15.9	8
900022VCT	1" 1/4	32	16	310	31,5	126	38.8	42.4	15.9	8
900027VCT	1" 1/2	40	16	430	40,5	140,7	44,9	48,3	15,9	8
900030VCT	2"	50	16	775	56	160,9	57	60,3	15,9	8